



## INSTALLATION INSTRUCTIONS FOR PART 99-3106

### APPLICATIONS

#### SATURN

2003-05 Ion / 2000-05 LS  
2000-02 SL / 2002-05 Vue

# 99-3106

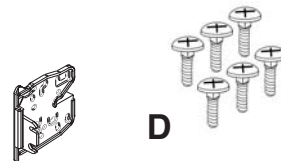
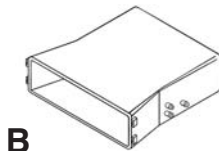
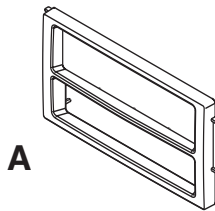


#### KIT FEATURES

- Double DIN Head Unit Provisions with Pocket
- ISO DIN Head Unit Provisions with Pocket

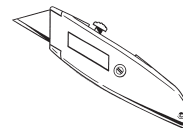
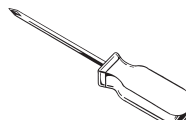
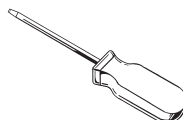
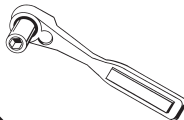
#### KIT COMPONENTS

A) Radio Housing • B) Pocket • C) Radio Housing Brackets • D) (6) Phillips Screws



#### TOOLS REQUIRED:

Socket Wrench • Flat Blade Screwdriver • Phillips Screwdriver • Cutting Tool



1-800-221-0932



[www.metraonline.com](http://www.metraonline.com)

Rev. 06-14-07 © COPYRIGHT 2004-2007 METRA ELECTRONICS CORPORATION INST99-3106



# 99-3106

## TABLE OF CONTENTS

### Dash Disassembly

<b>2003-2005 Saturn Ion</b> .....	<b>1</b>
<b>2000-2005 Saturn LS</b> .....	<b>1</b>
<b>2000-2002 Saturn SL</b> .....	<b>2</b>
<b>2002-2005 Saturn Vue</b> .....	<b>3</b>

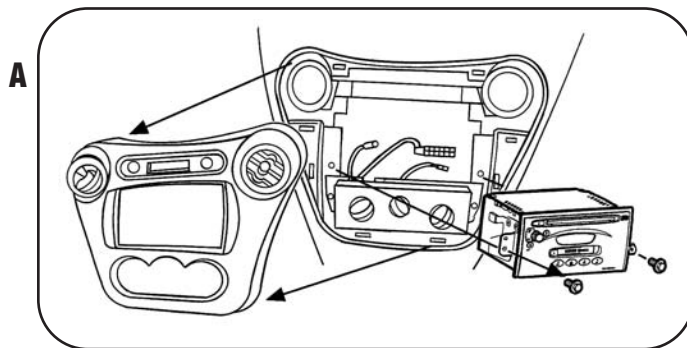
### Kit Assembly

<b>ISO DIN head unit provisions</b> .....	<b>4</b>
<b>Double DIN head unit provisions</b> .....	<b>5</b>

<b><u>Final Assembly</u></b> .....	<b>6</b>
------------------------------------	----------

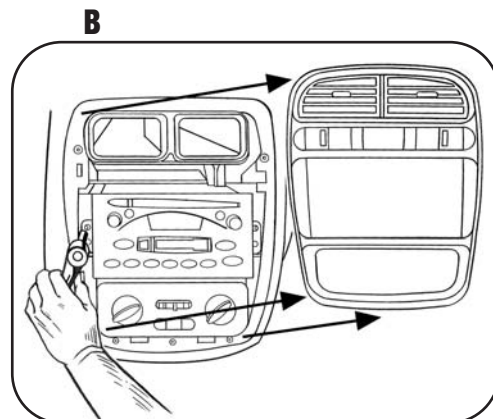
## 2003-2005 SATURN ION

- 1 Disconnect the negative battery terminal to prevent an accidental short circuit.
- 2 Unclip and remove the trim panel surrounding the radio. (Figure A)
- 3 Remove (2) 9/32" screws from radio to remove. (Figure A)



## 2000-2005 SATURN LS

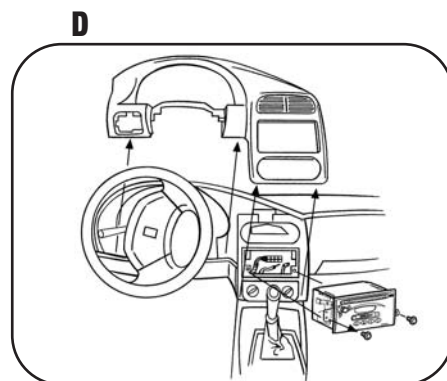
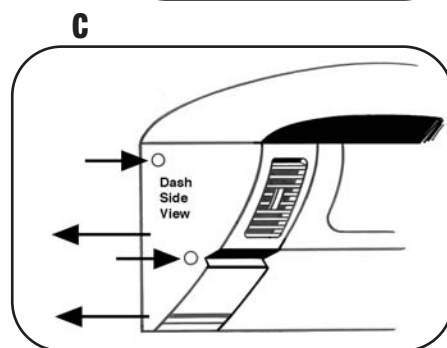
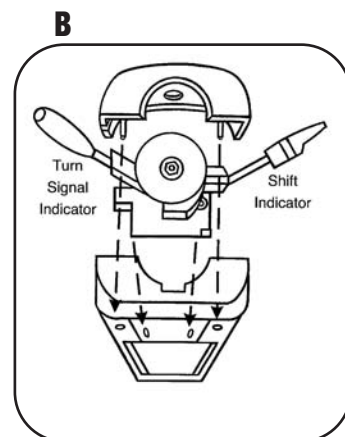
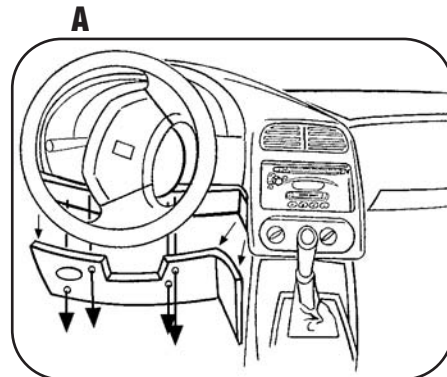
- 1 Disconnect the negative battery terminal to prevent an accidental short circuit.
- 2 Unclip and remove the trim panel surrounding the radio. (Figure B)
- 3 Remove (2) 9/32" screws from radio to remove. (Figure B)



## DASH DISASSEMBLY

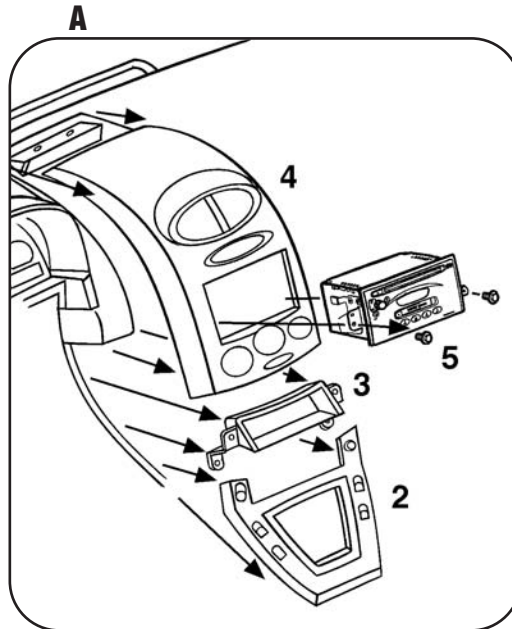
### 2000-2002 SATURN SL

- 1 Disconnect the negative battery terminal to prevent an accidental short circuit.
- 2 Remove (4) Phillips from panel below steering column and unclip and remove. (Figure A)
- 3 Remove (4) Phillips screws from the steering column trim panel and remove. (Figure B)
- 4 Remove (2) screws from the end cap/vent on the left side of the steering column then unclip and remove. (Figure C)
- 5 Unclip and remove the entire dash panel surrounding the radio, instrument cluster and a/c controls. (Figure D)
- 6 Remove (2) 9/32" screws securing the head unit to remove. (Figure D)



## 2002-2005 SATURN VUE

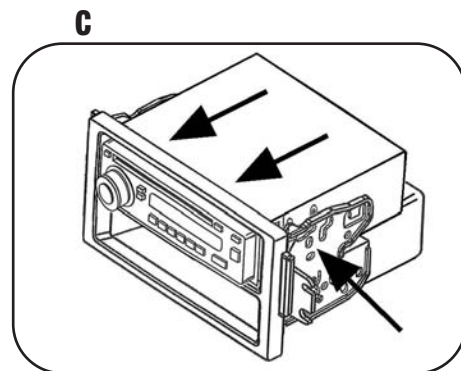
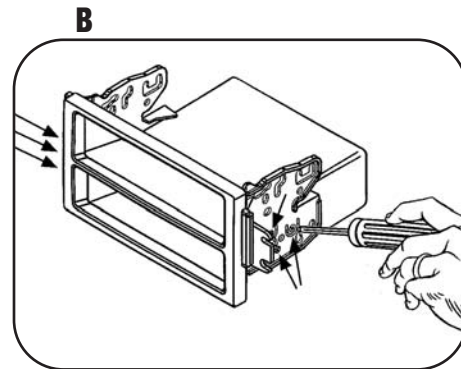
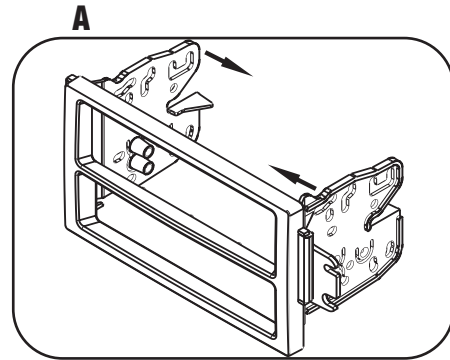
- 1** Disconnect the negative battery terminal to prevent an accidental short circuit.
- 2** Unsnap and remove shifter trim panel. (Figure A)
- 3** Remove (4) 9/32" screws from the dash pocket and remove. (Figure A)
- 4** Unsnap and remove panel surrounding radio and a/c controls.(Figure A)
- 5** Remove (2) 9/32" screws from radio to remove. (Figure A)



**DASH DISASSEMBLY**

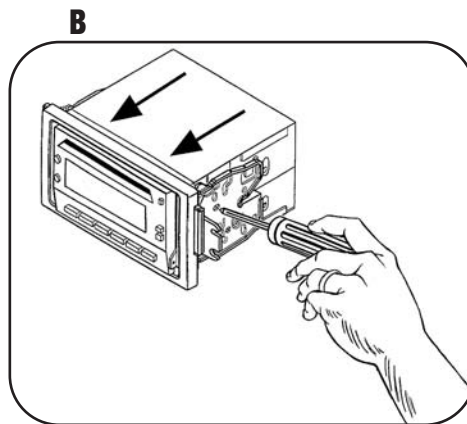
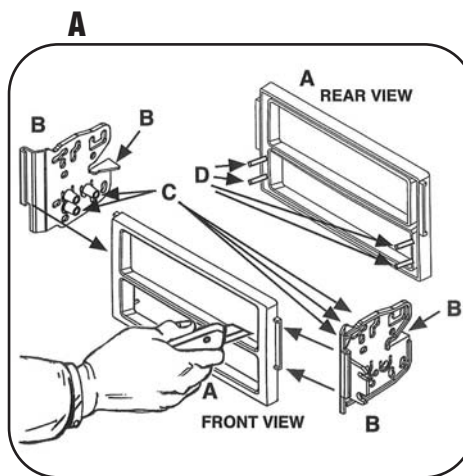
**KIT ASSEMBLY****ISO DIN HEAD UNIT PROVISIONS**

- 1** Slide the radio housing brackets onto the radio housing. (Figure A)
- 2** Snap the pocket onto the back of the radio housing, align the holes in the pocket with the holes in the radio housing brackets and mount with the (6) Phillips screws supplied. (Figure B)
- 3** Align the holes in the radio housing brackets with the holes in the ISO-DIN head unit and secure the brackets to the head unit with the screws included with the unit. (Figure C)



## DOUBLE DIN HEAD UNIT PROVISION

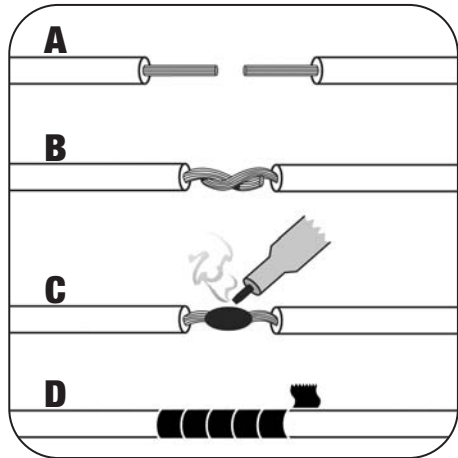
- 1** Cut and remove the center bar on the radio housing (A), the protruding bracket tabs (B), the bracket sockets (C), and the locating pins on the back of the radio housing (D). (Figure A)
- 2** Slide the radio housing brackets onto the sides of the radio housing. (Figure A)
- 3** Align the holes in the radio housing brackets with the holes in the DDIN head unit and secure the brackets to the head unit with the screws included with the unit. (Figure B)



**KIT ASSEMBLY**

# INST99-3106

## FINAL ASSEMBLY



- A) Strip wire ends back 1/2"**
- B) Twist ends together**
- C) Solder**
- D) Tape**

- 1** Locate the factory wiring harness in the dash. Metra recommends using the proper mating adapter and making the connections as shown. (Isolate and individually tape off the ends of any unused wires to prevent electrical short circuit)
  
- 2** Re-connect the negative battery terminal and test the unit for proper operation.
  
- 3** Reassemble radio and dash assemblies in reverse order of disassembly.